

MTB
FENDER SET
MANUAL

/SYNCROS.COM


 **syncros**

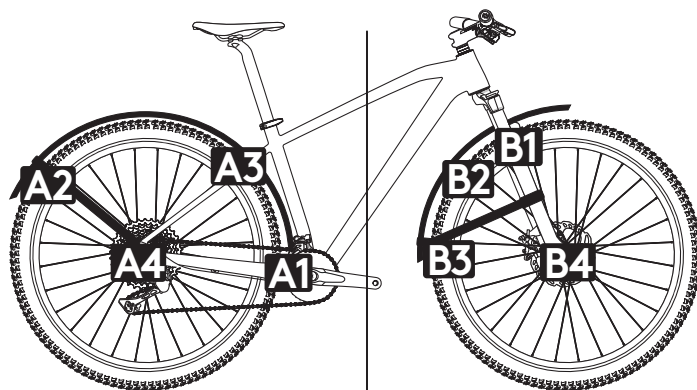
CONTENTS | CONTENU | INHALT | CONTENIDO | CONTEÚDO | INDICE

PARTS | PIÈCES | TEILE | PARTES | PEÇAS | PARTI **04**






ASSEMBLY | MONTAGE | MONTAGE | MONTAJE |
MONTAGEM | MONTAGGIO **06**

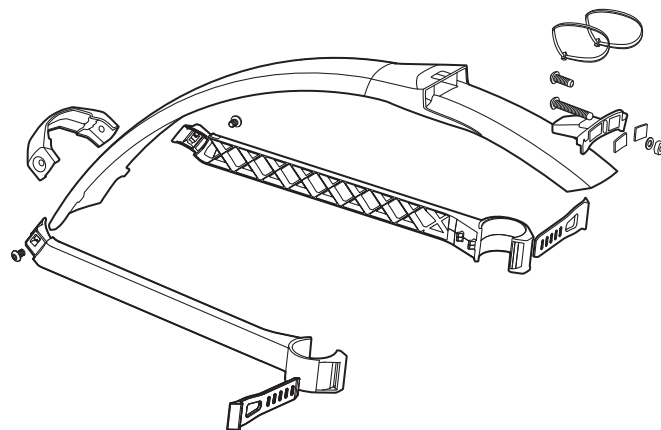
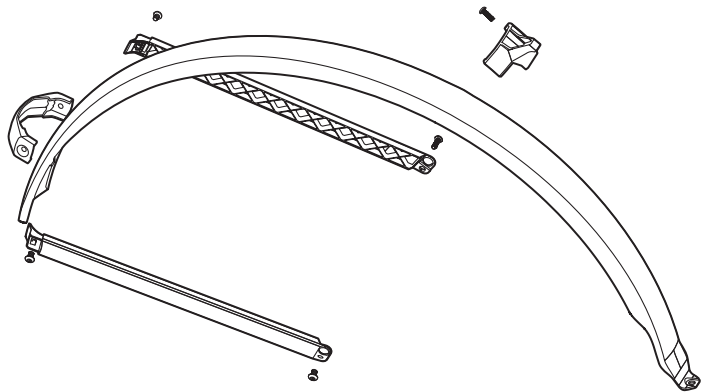
A REAR | ARRIÈRE | HINTEN |
TRASER | TRASEIRO | POSTERIORE

- 2x 
- 4x 



B FRONT | AVANT | VORNE |
DELANTE | DIANTEIRO | ANTERIORE

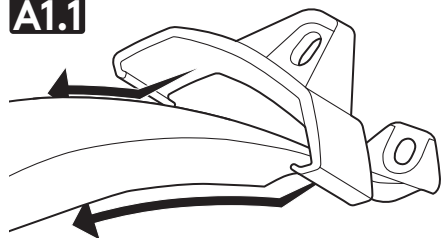
- 2x 
- 2x 
- 1x 
- 1x 
- 2x 



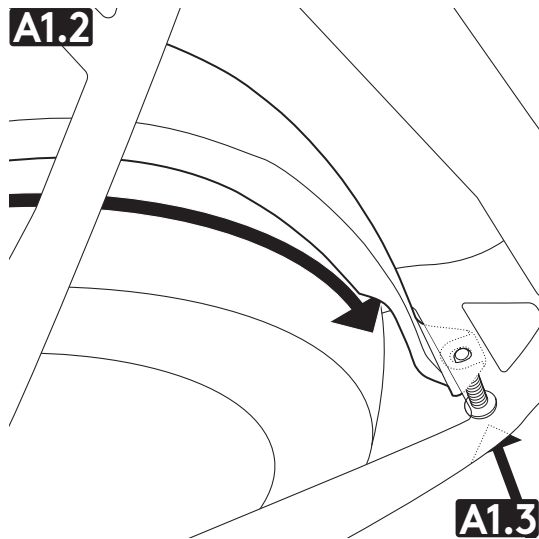
ASSEMBLY | MONTAGE | MONTAGE | MONTAJE |
MONTAGEM | MONTAGGIO

A REAR | ARRIÈRE | HINTEN |
TRASER | TRASEIRO | POSTERIORE

A1.1

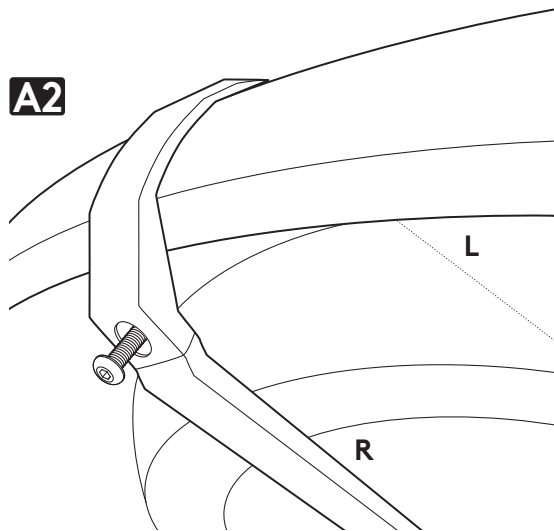


A1.2

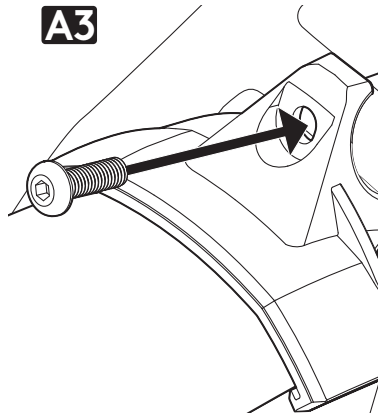


A1.3

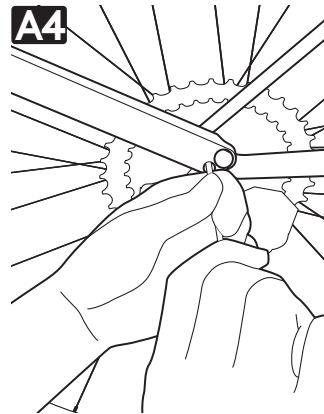
A2



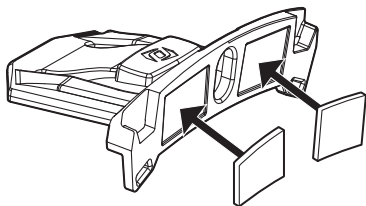
A3



A4

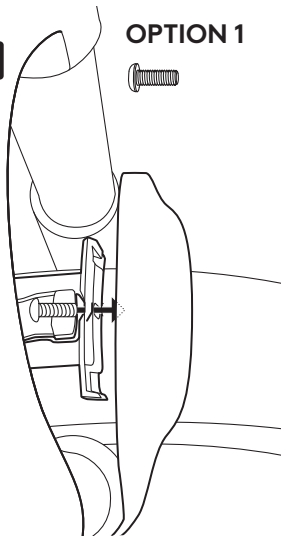


B1.1

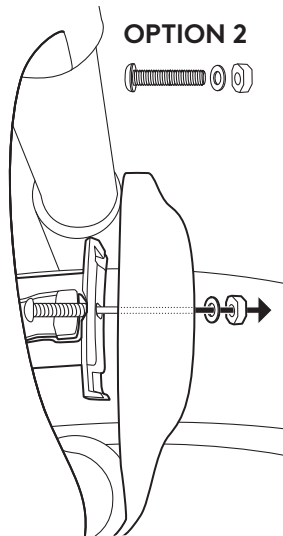


B1.2

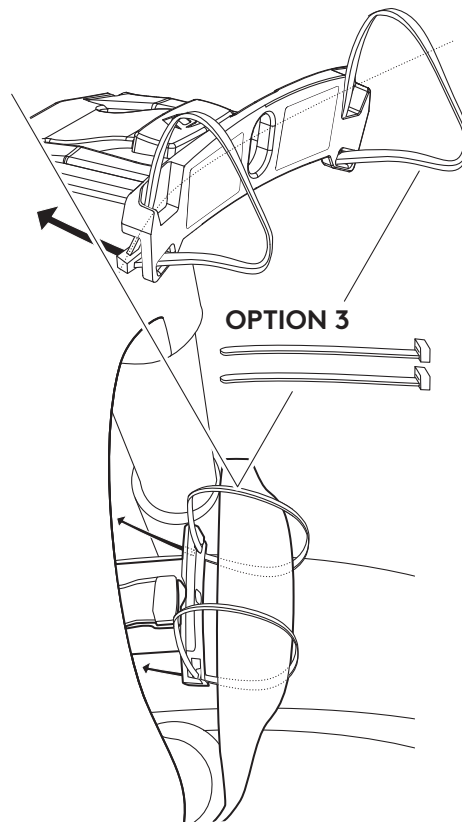
OPTION 1

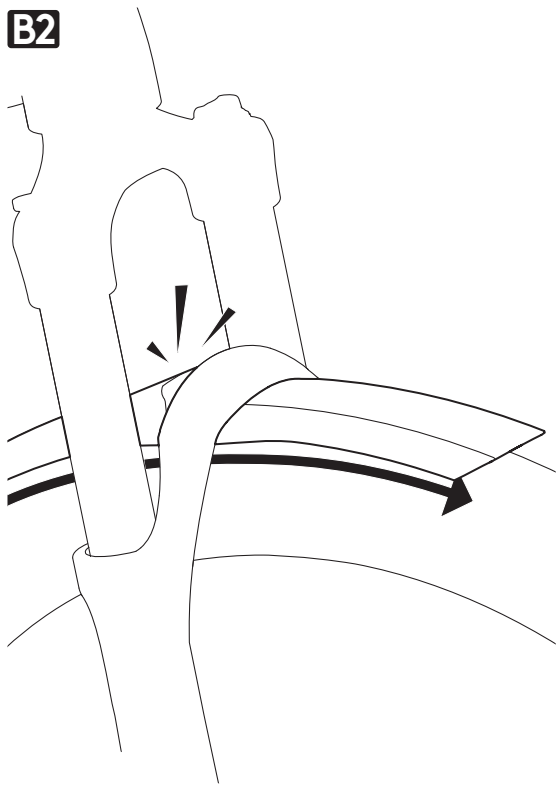
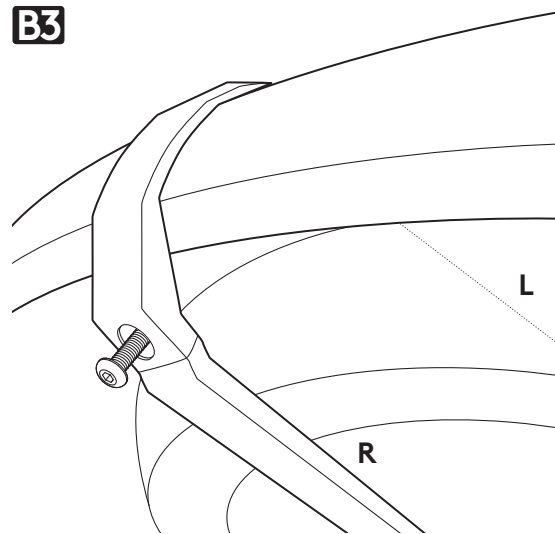
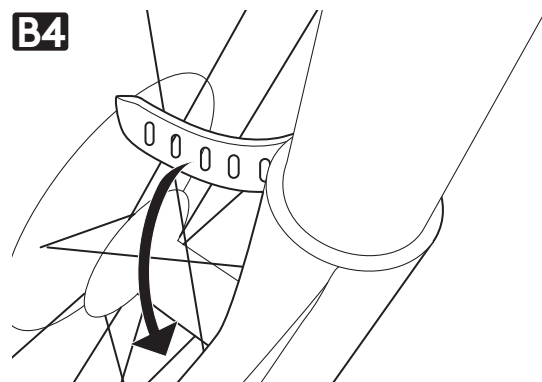


OPTION 2



OPTION 3



B2**B3****B4**



—
All rights reserved © 2021-22 SYNCROS

SYNCROS | CH-1762 GIVISIEZ

Phone: +41 26 460 16 16

SSG (Europe) Distribution Center SA

P.E.D Zone C1, Rue du Kiell 60

6790 Aubange – Belgium

/SYNCROS.COM

Made in Taiwan

V1.230621