



2023 SCOTT  
**SCALE MANUAL**

# CONTENT

**THE SCALE SHOULD BE ADJUSTED EXACTLY TO THE RIDER FOR MAXIMUM SAFETY AND RIDEABILITY.**

**Please contact your authorized SCOTT dealer for advice in order to avoid technical problems or any harm.**

GEOMETRY & TECHNICAL DATA	03
HEADSET ADJUSTMENT	05
RIDELOC	06
CABLE ROUTING	07
SPARE PARTS	08
MANUFACTURE'S GUARANTEE	10

# LEGEND



**TORQUE REQUIRED**



**NO GREASE REQUIRED**



**GREASE REQUIRED**



**CARBON GREASE REQUIRED**



**THREADLOC REQUIRED**



**BEARING FIT REQUIRED**



**TORX TOOL SIZE**



**TORQUE AMOUNT**

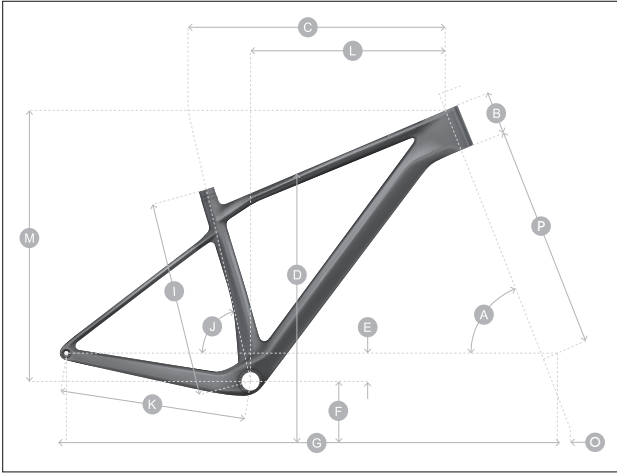


**TASK DIFFICULTY**



**HEX TOOL SIZE**

# GEOMETRY & TECHNICAL DATA

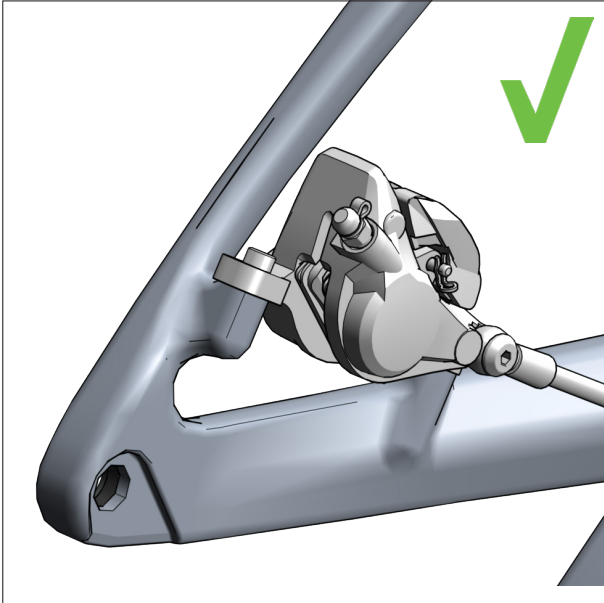


<b>SEATPOST</b>	mm	31.6 (use carbon grease)
<b>SEATPOST CLAMP</b>	mm	34.9
<b>TRAVEL</b>	mm	100 Front
<b>MAX ROTOR</b>	mm	180 Rr/Ft (160 Rr Small)
<b>MAX CHAINRING</b>	Tooth	38
<b>MAX TYRE WIDTH</b>	in	2.5
<b>CHAINLINE</b>	mm	55

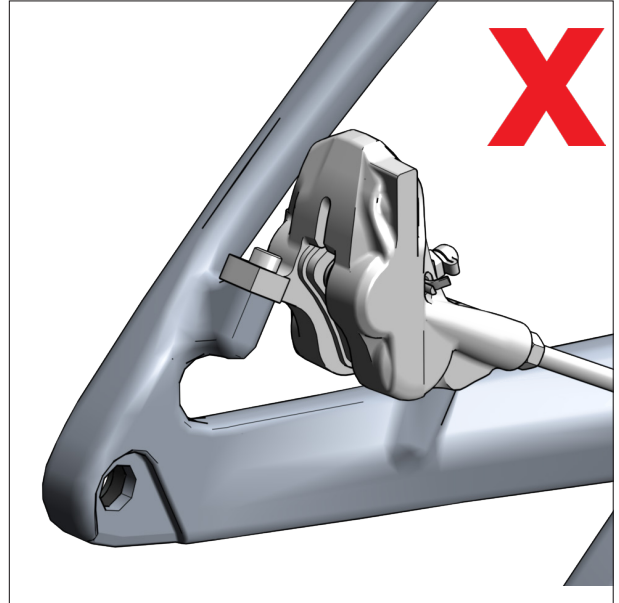
			Alloy/Carbon	Alloy/Carbon	Alloy/Carbon	Alloy/Carbon	Alloy
<b>MY23 SCALE</b>		<b>SM</b>	<b>MED</b>	<b>LG</b>	<b>XL</b>	<b>XXL</b>	
A	Head tube angle	°	67.4/67.9	67.4/67.9	67.4/67.9	67.4/67.9	67.4
B	Head tube length	mm	90/90	100/95	110/110	120/120	120
C	Top tube horizontal	mm	580/575	605/600	630/626	660/656.5	680
D	standover height	mm	755/752	786/781	805/800	835/835.1	870
E	BB offset	mm	-60/-62	-60/-62	-60/-62	-60/-62	-60/-62
F	BB height	mm	315/313	315/313	315/313	315/313	315
G	Wheelbase	mm	1111.8/1105.4	1138.2/1131.1	1164.6/1158	1195.9/1189.4	1215.9
I	BB center to TST	mm	390/390	440/440	480/480	530/530	580
J	Seat angle	°	75/75.4	75/75.4	75/75.3	75/75.3	75
K	Chainstay	mm	425/425	425/425	425/425	425/425	425
L	Reach	mm	420.3/418.5	442.8/442.3	463.3/463.6	492.9/491.2	512.9
M	Stack	mm	596.1/600.3	605.3/604.9	614.6/618.9	623.8/628.1	623.8
	Fork Rake	mm	44	44	44	44	44
	Trail	mm	112.6/105.1	112.6/105	112.6/105	112.6/105	112.6

# SCALE

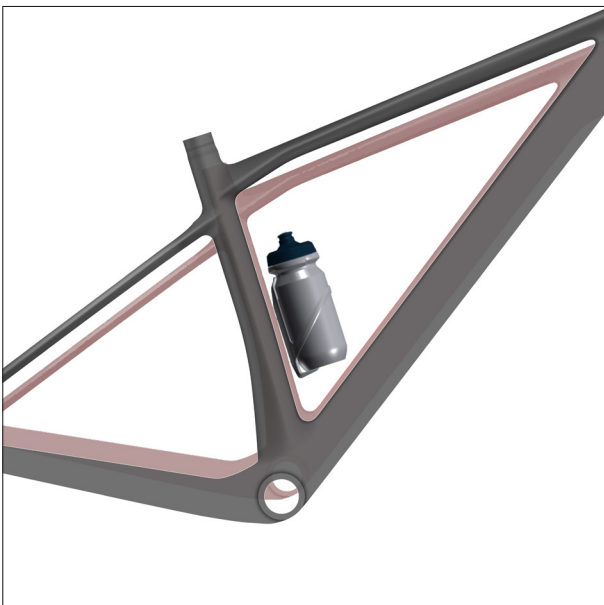
## GEOMETRY & TECHNICAL DATA CONT.



The rear brake calliper is a post mounted 160mm without an adapter.  
The maximum rotor size is 180mm, except on a small size frame where it must not exceed 160mm.



If you wish to use two piston brake callipers, **you must check the clearance, as not all two piston brakes will fit.**



Please note that on a small size frame it is only possible to use a 500 ml water bottle, with a side entry cage.



Carbon frames will have a unique insert for the rear axle.

# SCALE

## HEADSET ADJUSTMENT (CARBON BICYCLES ONLY)



It is important to install the headset correctly depending on the set up required. There are two types of headset cups.

0° & 0.6° ( 64° & 65°) These can be identified from the stamp on the inner surface of the headset cup

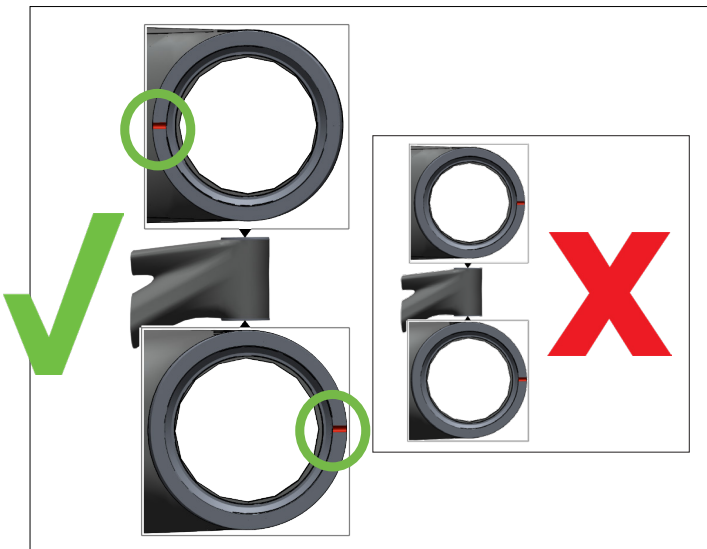
The headset is available in two options:

**288251 SYN HEADSET ZS56/28.6-ZS56/40 MTB**

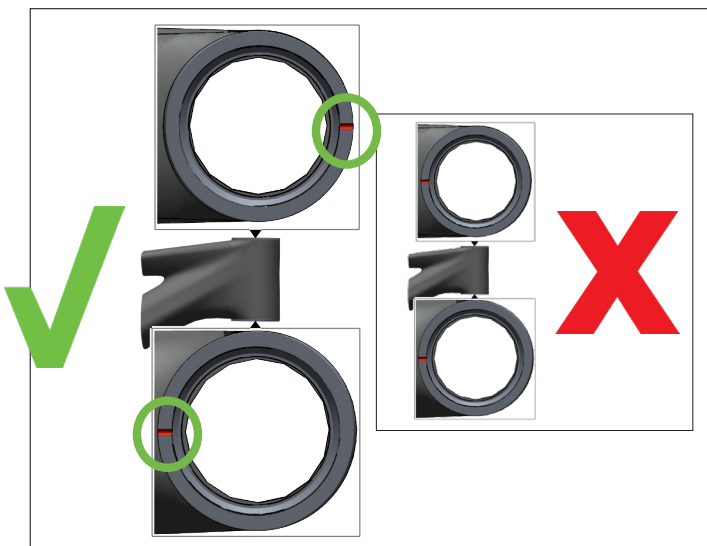
**290060 SCO HEADSET CUP KIT SPARK 22**



Do not use a standard headset tool to remove these plastic headset cups.



Slacker



Steeper

# SCALE

## RIDELOC

SCALE RC	FORK	PART NO.	DROPPER
SCALE RC SL	3P/0-7-14MM	296245	NO
SCALE RC WORLD CUP EVO	3P/0-7-14MM	296245	NO
SCALE WORLD CUP	3P/0-7-14MM	296245	NO
SCALE RC TEAM ISSUE	2P/0-10MM	296245	NO
SCALE RC TEAM	2P/0-10MM	296245	NO

SCALE	FORK	PART NO.	DROPPER
SCALE 910	3P/0-7-14MM	296245	NO
SCALE 920	3P/0-7-14MM	296245	NO
SCALE 925	3P/0-7-14MM	296245	NO
SCALE 930	3P/0-7-14MM	296245	NO
SCALE 940	2P/0-17MM	296246	NO
SCALE 950	3P/0-7-14MM	296245	NO
SCALE 960	3P/0-7-14MM	296245	NO
SCALE 965	2P/0-17MM	230099	NO

CONTESSA SCALE	FORK	PART NO.	DROPPER
CONTESSA SCALE 910	3P/0-7-14MM	296245	NO
CONTESSA SCALE 920	2P/0-17MM	296246	NO
CONTESSA SCALE 930	2P/0-17MM	230099	NO

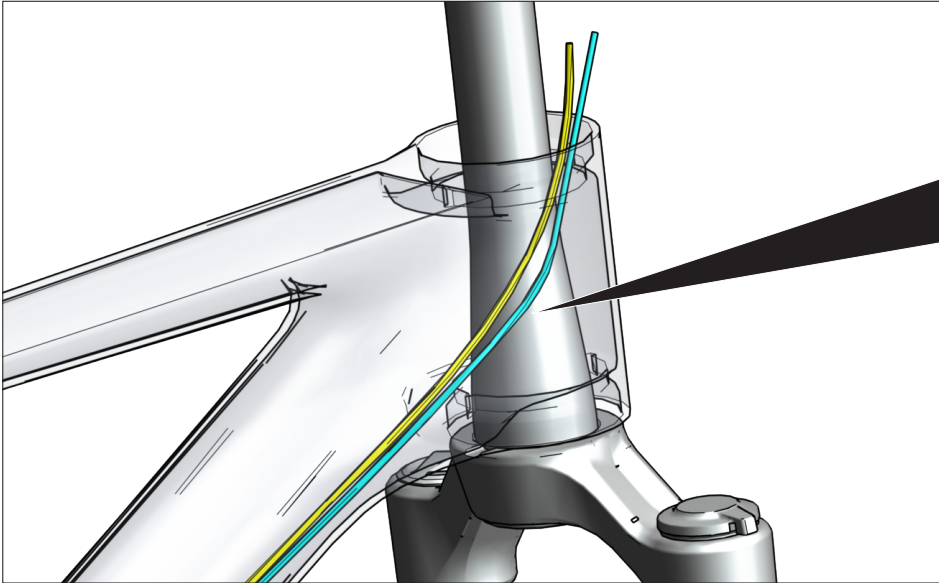
There are two Rideloc levers for the Scale, this will depend on which fork has been fitted.

**296245 SCO RIDELOC DOWNCLAMP 0-7-14/0-10MM 23**

**296246 SCO RIDELOC DOWNCLAMP 2P/0-17MM 23**

# SCALE

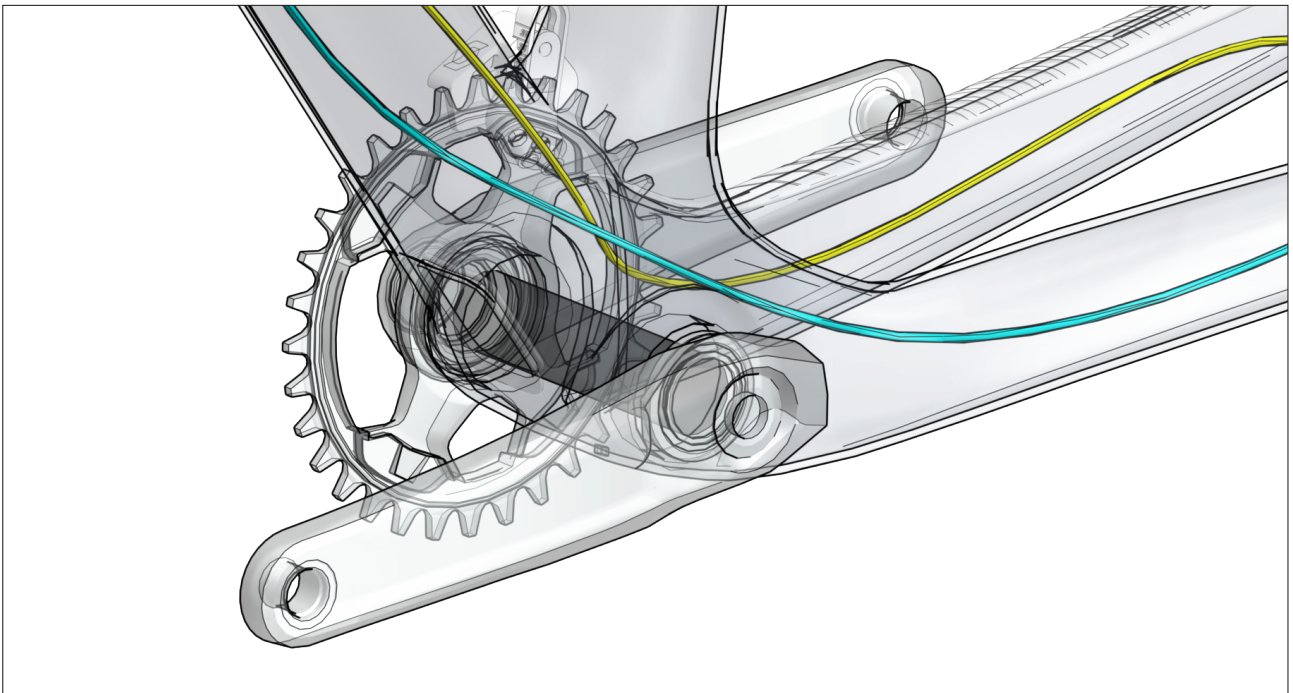
## CABLE ROUTING



For the alloy frames there will be a protective rubber sleeve inside the headtube for the cables. Make sure the brake and gear cables can move freely.

**297134 SCO CABLE GUIDE H-TUBE INNER SCALE AL 23**

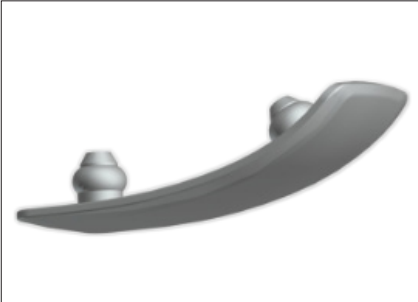
Foam tubing: **277026 SCO CABLE ANTI-RATTLE LINER 90CM 20**



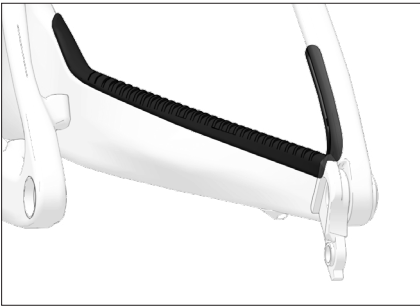
**Both cables must route above the bottom bracket.**

# SCALE

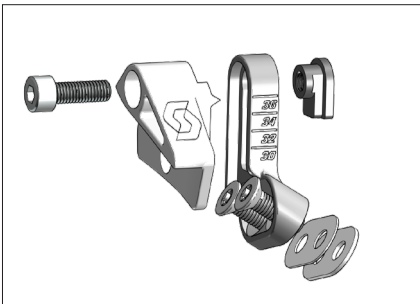
## SPARE PARTS



**297086 SCO STEM ACCESSORY COVER COMBO 22**



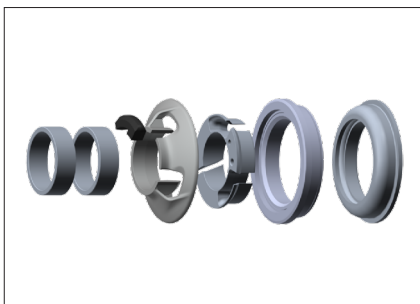
**420004 SCO SCALE CARBON 23 CHAINSTAY PROTECTOR**  
**420003 SCO SCALE ALLOY 23 CHAINSTAY PROTECTOR**



**297132 SCO CHAINGUIDE SCALE CARBON 23**



**296609 SCO AXLE RWS REAR 148X12 GENIUS PLUG 23**



**297728 SCO HEADSET KIT SCALE ALLOY 23**

# SCALE

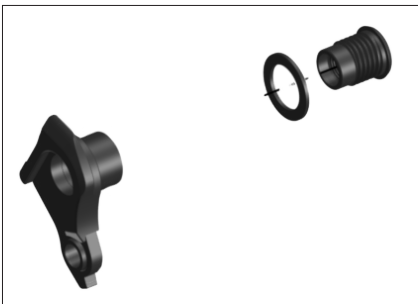
## SPARE PARTS CONT.



**290059 SCO STEM SPACER/TOP CAP SY MTB XC 22**  
**290057 SCO STEM SPACER/TOP CAP SY MTB COMBO 22**  
**290057 SCO STEM SPACER/TOP CAP SY MTB DC 22**



**290056 SCO HEADSET SPACER KIT IC MTB 22**



**286000 SCO DROPOUT SRAM UDH 21**



Reverse Thread



**297136 SCO BOTTLE CAGE INSERTS**  
**SCALE HMX-SL 23**



**297133 SCO CABLE GUIDE KIT**  
**DT COV.SCALE CB 23**



# MANUFACTURER'S GUARANTEE,

When purchasing a new SCOTT bicycle from an authorized SCOTT dealer, SCOTT grants a manufacturer's guarantee subject to the following provisions.

## CONDITIONS

The manufacturer's guarantee is only granted to the first-time buyer of a SCOTT bicycle who has purchased it from an authorized SCOTT dealer. The manufacturer's guarantee only applies if the bicycle is registered to the first buyer at [www.scott-sports.com](http://www.scott-sports.com) within ten days of purchase.

## DURATION

The manufacturer's guarantee is granted from the date of purchase for a period of five years on bicycle frames and rear ends. The guarantee period is reduced to three years, if the SCOTT bicycle is not serviced at least once a year by an authorized SCOTT dealer. Maintenance services must be carried out in accordance with the maintenance instructions in the SCOTT manual and must be confirmed there by the stamp and signature of the authorized SCOTT dealer.

For frames and rear ends of Category 5 bicycle models and for rigid forks manufactured by SCOTT, the duration of the manufacturer's guarantee is limited to two years.

If a defect on the SCOTT bicycle is remedied within the scope of a manufacturer's guarantee or a warranty claim, the duration of the manufacturer's guarantee is not extended. The manufacturer's guarantee ends, when the first-time buyer transfers ownership of the SCOTT bicycle to a third person.

## ASSERTION

The manufacturer's guarantee is provided by SCOTT Sports SA, Route du Crochet 11, 1762 Givisiez, Switzerland. The buyer must inspect the SCOTT bicycle immediately after purchase and notify his authorized SCOTT dealer at once in writing of any obvious defects. Hidden defects must be reported immediately after their discovery. In the event of a guarantee claim, the SCOTT bicycle must be handed over to an authorized SCOTT dealer. The latter will contact SCOTT to remedy the defect. The assertion of a guarantee claim always requires the presentation of the original proof of purchase as well as the proof of maintenance service in the SCOTT manual.

Performance of SCOTT in the event of a guarantee claim

In the event of a guarantee claim, SCOTT will, at its own discretion, repair the defect or replace the defective product with a product of similar quality, whereby colour and model deviations are possible. If a repair or replacement is not possible, a purchase price refund will be made taking into account previous use. SCOTT is entitled to commission third parties to remedy the defect.

## LIMITATIONS

The manufacturer's guarantee applies exclusively to frames, swingarms and rigid forks of SCOTT bicycles. Bicycle components are excluded from this manufacturer's guarantee.

The manufacturer's guarantee does not apply to normal wear and tear, damage caused by accidents or other excessive force on the SCOTT bicycle, corrosion, improper maintenance, incorrect assembly and assembly of unsuitable components or accessories as well as cosmetic defects, for example in the varnish.

The manufacturer's guarantee does not apply to SCOTT bicycles that have been used in a rental shop.

## MISCELLANEOUS

These manufacturer's guarantee provisions apply to all SCOTT bicycles as of model year 2023.

Statutory warranty rights of the buyer and guarantees of component manufacturers (Shimano, SRAM etc.) remain unaffected by this manufacturer's guarantee.

The place of jurisdiction for all disputes in connection with this manufacturer's guarantee is Freiburg, Switzerland. This manufacturer's guarantee is subject to Swiss law to the exclusion of all legislation that refers to foreign law.



The image shows a table titled "SCOTT Bike Warranty Periods" with a grid structure. The columns are labeled "Year 1", "Year 2", "Year 3", "Year 4", and "Year 5". The rows include "SCOTT Bikes", "Gambler, Voltage FR, Volt-X", "Regular Warranty Period", and "Option for prolongation according to maintenance intervals shown in manuals attached to bikes".

	Year 1	Year 2	Year 3	Year 4	Year 5
SCOTT Bikes					
Gambler, Voltage FR, Volt-X					
Regular Warranty Period					
Option for prolongation according to maintenance intervals shown in manuals attached to bikes					



© SCOTT Sports SA 2022. All rights reserved.  
The information contained in this manual is in various languages  
but only the English version will be relevant in case of conflict.

P.E.D Zone C1, Rue Du Kiell 60 | 6790 Aubange | Belgium Distribution: SSG (Europe) Distribution Center SA  
SCOTT Sports SA | 11 Route du Crochet | 1762 Givisiez | 2022 SCOTT Sports SA [www.scott-sports.com](http://www.scott-sports.com) Email:  
[webmaster.marketing@scott-sports.com](mailto:webmaster.marketing@scott-sports.com)