

bold

C Y C L E S



LINKIN 135/150 MANUAL

REDEFINE THE RULES

Technical Data:



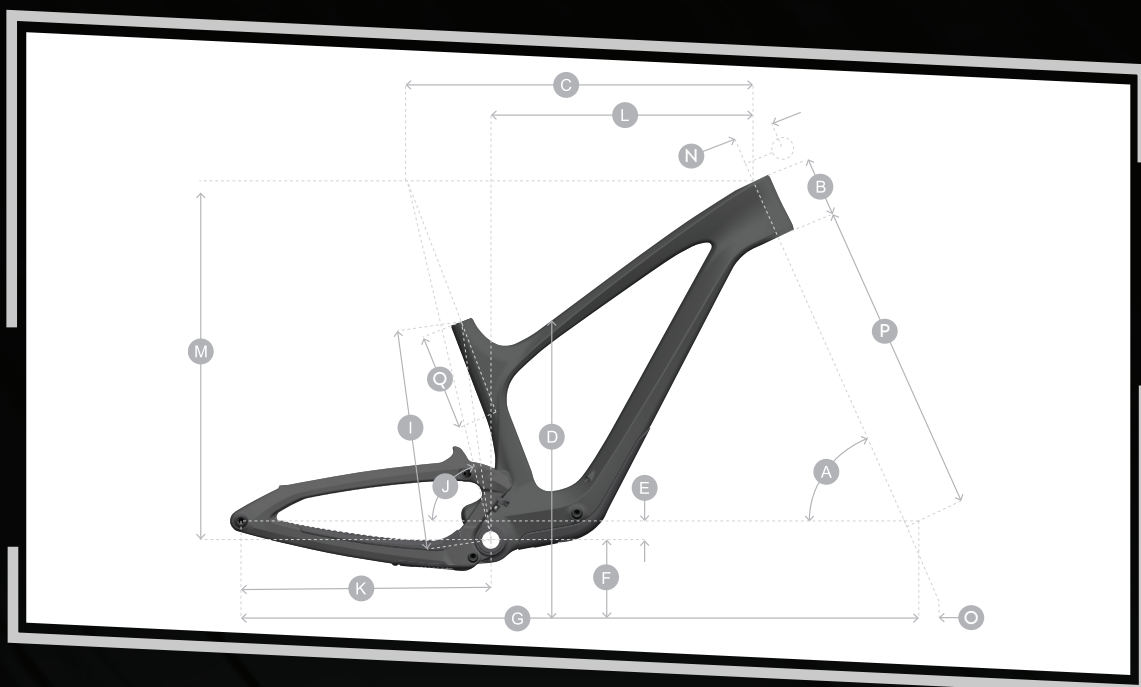
For a complete installation, only take your bike to an authorized Bold dealer for assistance.



Tyre sizes often vary from brand to brand. Always ensure that the frame, linkage and swingarm tyre clearance are correct when replacing the rear tyre.

Seatpost:	34.9mm
Seatpost Clamp:	38.2mm
Travel:	135mm / 150mm Linkage Specific
Shock Length:	185mm
Shock Stroke:	55mm
Hardware M/Frame:	IGUS
Hardware Linkage:	17 x 8mm
BB Housing:	92x41mm
Chainring Max:	36 Tooth
Chain Line:	55mm
Tyre Width Max:	2.6 Inches

Geometry:



		Linkin 135			
		Low-Slack High-Steep	Low-Slack High-Steep	Low-Slack High-Steep	Low-Slack High-Steep
		Small	Medium	Large	X/Large
A	HEAD TUBE ANGLE	64.4 / 65.8	64.4 / 65.8	64.4 / 65.8	64.4 / 65.8
B	HEAD TUBE LENGTH	90.0	105.0	120.0	135.0
C	HORIZONTAL TOP TUBE	546.2	597.0	628.4	661.5
D	SUPPORT HEIGHT	675.0	707.0	733.0	760.0
E	BOTTOM BRACKET OFFSET	41 / 33	41 / 33	41 / 33	41 / 33
F	BOTTOM BRACKET HEIGHT	334 / 342	334 / 342	334 / 342	334 / 342
G	WHEELBASE	1171.0	1213.0	1249.0	1286.0
I	BOTTOM BRACKET CENTRE TOP TUBE	365.0	395.0	425.0	455.0
J	SEAT TUBE ANGLE	78.7	77.7	77.7	77.7
K	CHAINSTAY LENGTH	434.1	434.1	434.1	434.1
L	REACH	425.0	460.0	490.0	520.0
M	STACK	602.0	616.0	629.0	642.0
N	STEM LENGTH	50.0	50.0	50.0	50.0
O	TRAIL	130.6/120	130.7/120.2	130.8/120.4	130.9/120.5
P	FORK LENGTH	551.0	551.0	551.0	551.0
	CRANK LENGTH	170.0	170.0	170.0	170.0
	FORK OFFSET	44.0	44.0	44.0	44.0

		Linkin 150			
		Low-Slack High-Steep	Low-Slack High-Steep	Low-Slack High-Steep	Low-Slack High-Steep
		Small	Medium	Large	X/Large
A	HEAD TUBE ANGLE	64.2/65.6	64.2/65.6	64.2/65.6	64.2/65.6
B	HEAD TUBE LENGTH	90.0	105.0	120.0	135.0
C	HORIZONTAL TOP TUBE	546.8	595.9	629.0	662.1
D	SUPPORT HEIGHT	683.0	715.0	740.0	766.0
E	BOTTOM BRACKET OFFSET	35 / 27	35 / 27	35 / 27	35 / 27
F	BOTTOM BRACKET HEIGHT	683	715	740	766
G	WHEELBASE	1175.0	1216.0	1253.0	1289.0
I	BOTTOM BRACKET CENTRE TOP TUBE	305.0	395.0	425.0	455.0
J	SEAT TUBE ANGLE	78.4	77.4	77.4	77.4
K	CHAINSTAY LENGTH	434.0	434.0	434.0	434.0
L	REACH	425.0	460.0	490.0	520.0
M	STACK	604.0	617.0	631.0	644.0
N	STEM LENGTH	50.0	50.0	50.0	50.0
O	TRAIL	132.5/121.9	132.6/122.1	132.6/122.2	132.7/122.3
P	FORK LENGTH	561.0	561.0	561.0	561.0
	CRANK LENGTH	170.0	170.0	170.0	170.0
	FORK OFFSET	44.0	44.0	44.0	44.0

PLEASE NOTE THE ICONS BELOW THROUGHOUT THIS MANUAL FOR SAFE PRACTICE.



EASY TECHNICAL STEP

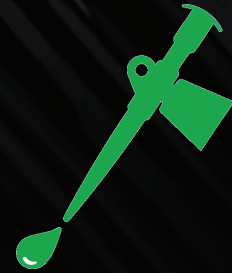


IMPORTANT TECHNICAL STEP



NO GREASE

WITH GREASE



THREADLOC

LOCTITE



WARNING/ATTENTION

TORQUE CHECK

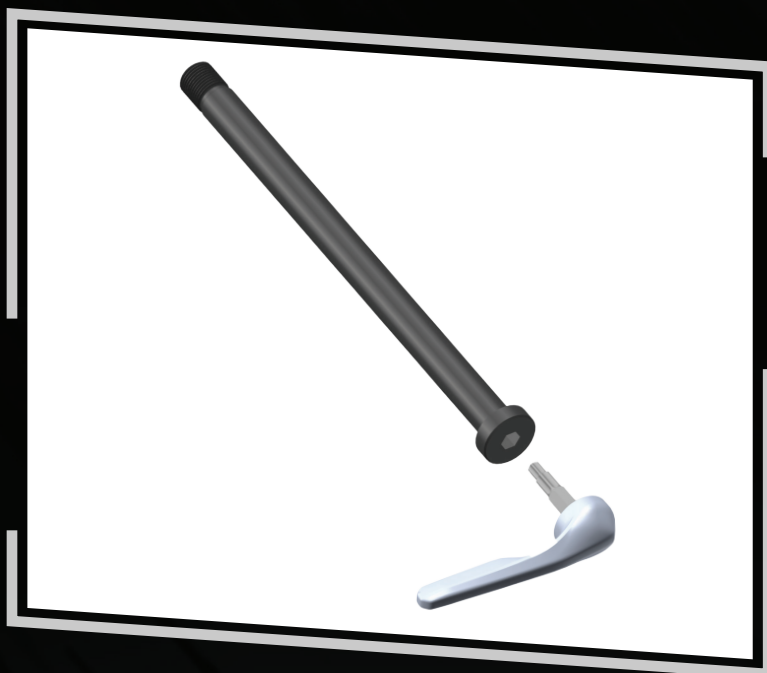


HANGERS & AXLES:

The Linkin has only one option of the rear hanger, this is the Sram UDH available from Sram and Scott. UDH has a torque of 25 NM reverse thread.

No grease on the hanger assembly.

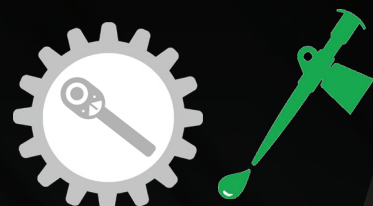
**286000 - SCO DROPOUT
SRAM UDH 21**



The new rear axle for the Linkin contains a “plug in “ tool containing T30/T25 and M6 Hex key.

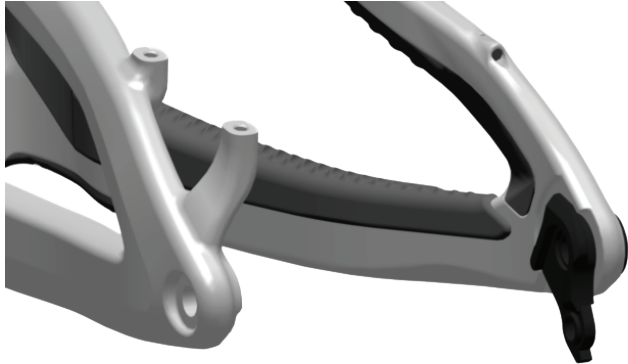
Torque for this is 10 Nm

**290016 - SCO AXLE RWS
REAR 148X12 SPARK PLUG 22**



REAR BRAKE:

The brake caliper mount is a standard post mount with no adapter for 180mm.



CHAINGUIDE & PROTECTION:

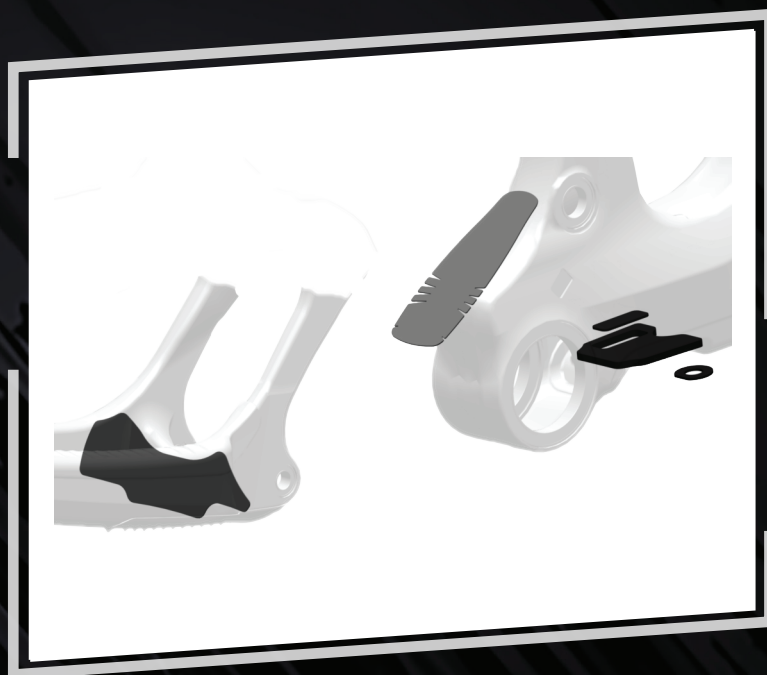


The Linkin Chainguide has a maximum chainring size of 36T

**291214 - BLD CHAINGUIDE
LINKIN 22**

There are two protection kits available.

**291221 - BLD PROTECTION
FILM LINKIN 22**



Chainstay / seatstay kit.

**291215 - BLD C-STAY S-STAY
PROTECTOR LINKIN 22**

MAXIMUM SEATPOST INSERTION:

Please observe the maximum seatpost insertion as not to damage the frame, this number is size specific.

This number should not be exceeded.

Small - 272mm
Medium - 302mm
Large - 332mm
X-Large - 362mm



DROPPER SEATPOST:

The Linkin has a dropper in 34.9mm, there will be 2 service kits available.

292669- BLD SEATPOST-SERV AIR CART SYNC 34.9

Air cartridge only in either 150mm/170//200mm

292670 - BLD SEATPOST-SERV.SEAL KIT SYNC 34.9

Including upper and lower bushings, seal, spring, mid-cap, brass pins and 50ML lube.

HEADSET:

The Headset on the Linkin has several options and setup variants.

The headset is available in the following option.

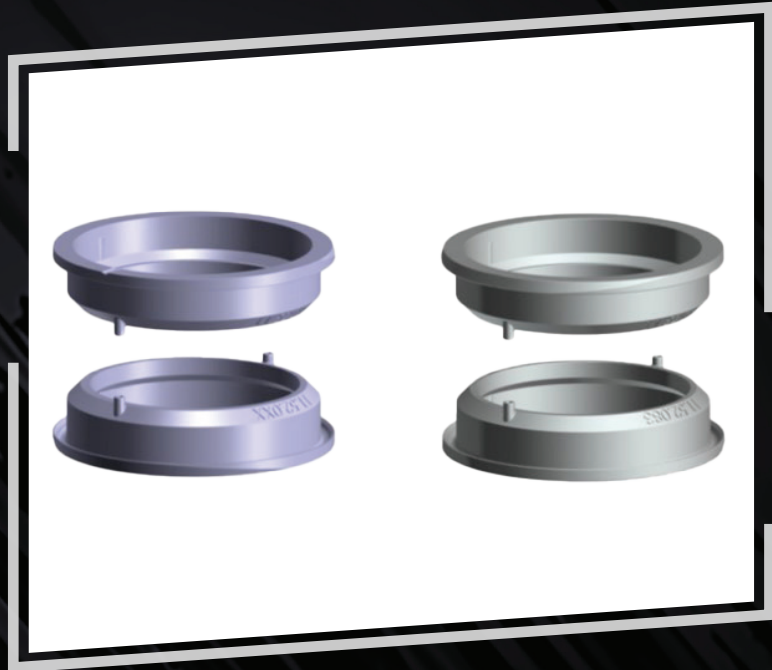
**SYNCROS 288251 -SYN
HEADSET ZS56/28.6 –
ZS56/40 MTB**

This includes the bearings, crown, and compression ring.

Cup kit (no bearings) this comes with 0° and 0.6°.

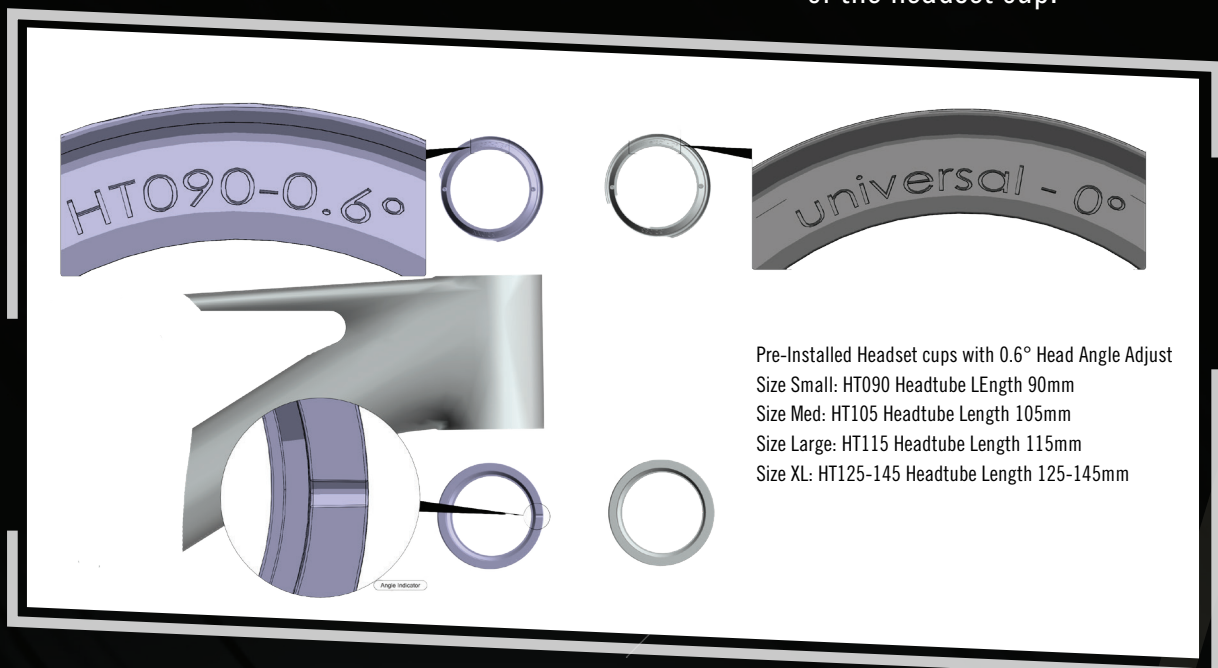
290060 SCO HEADSET CUP KIT SPARK 22

Please note these kits are size specific.

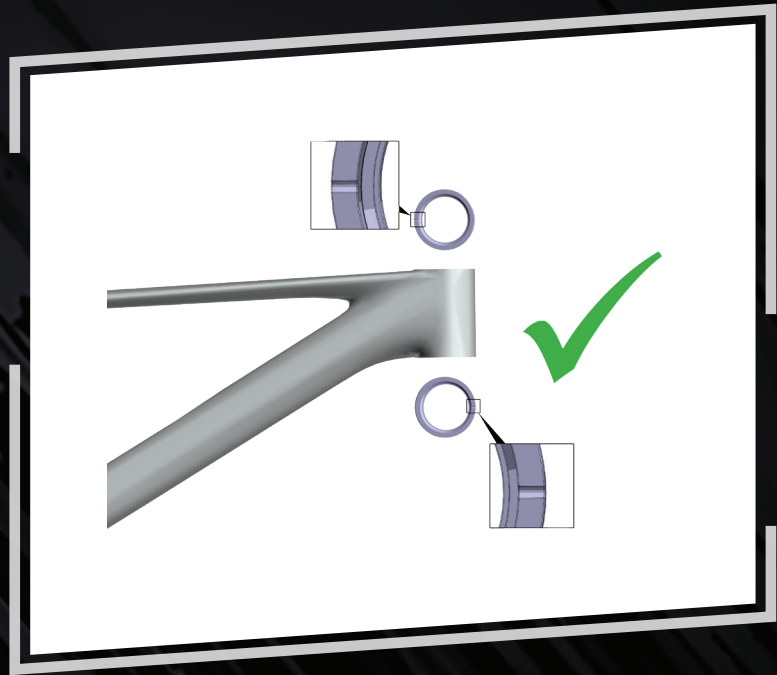


Headset indication and orientation. It is important to have the headset installed correctly depending on the setup, there are two types 0° and 0.6°.

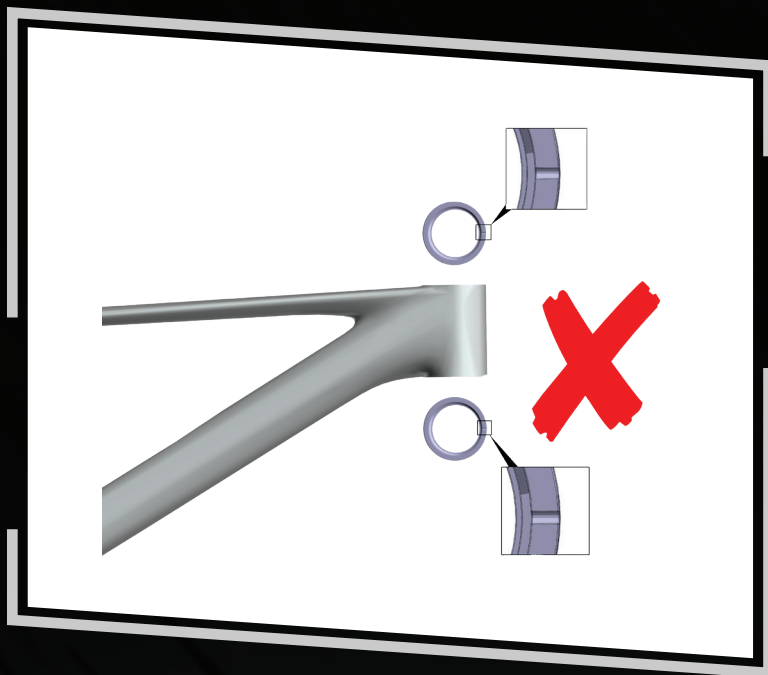
These can be identified from the stamp on the inner surface of the headset cup.



Pre-Installed Headset cups with 0.6° Head Angle Adjust
Size Small: HT090 Headtube Length 90mm
Size Med: HT105 Headtube Length 105mm
Size Large: HT115 Headtube Length 115mm
Size XL: HT125-145 Headtube Length 125-145mm



For the 0.6° this can be installed at + or – but it is essential that the angle indication markers on the headset are set opposite to each other, top facing forward and bottom facing backwards (or vice versa).

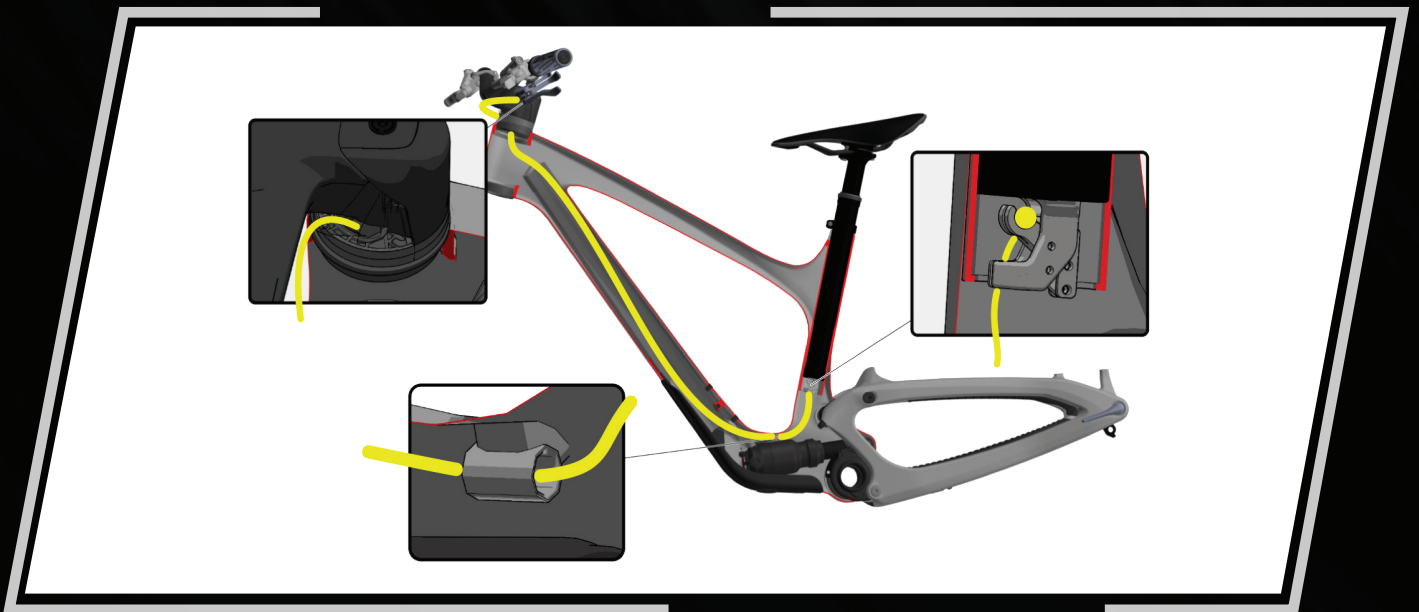


CABLE ROUTING:

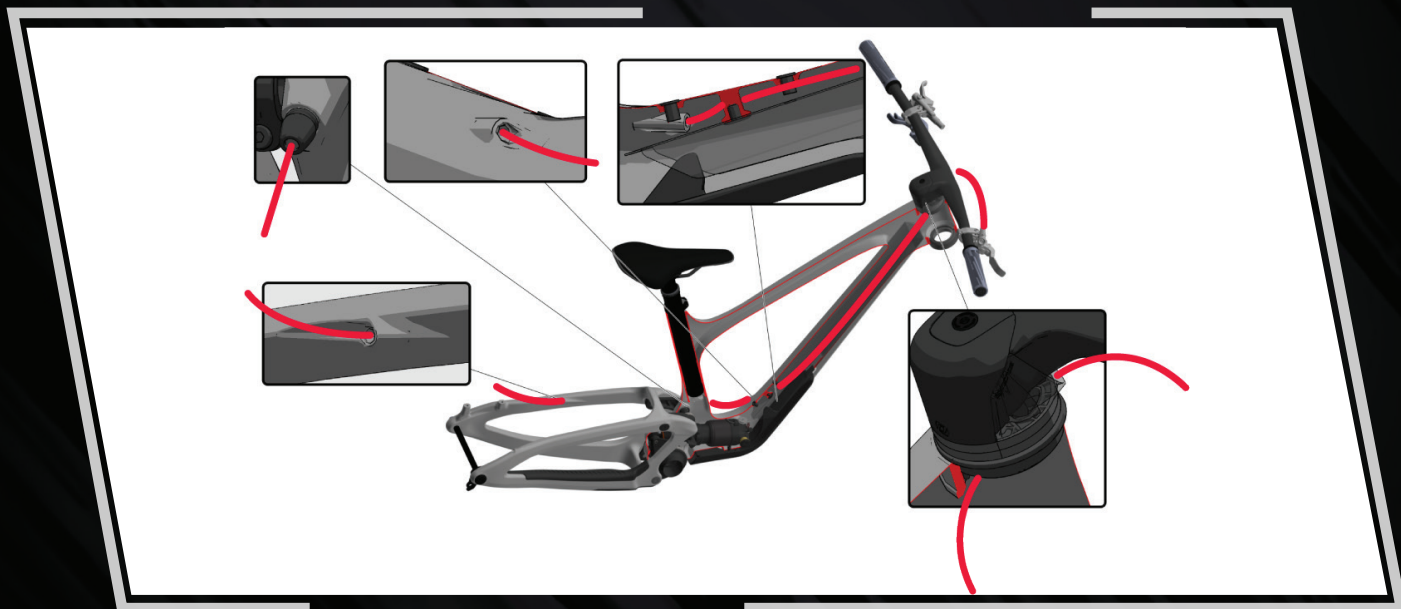
REAR DERAILLEUR



DROPPER SEATPOST



REAR BRAKE HOSE



TRACLOC CABLE



Dropper Seatpost

Rear Shifting

Remote Tracloc

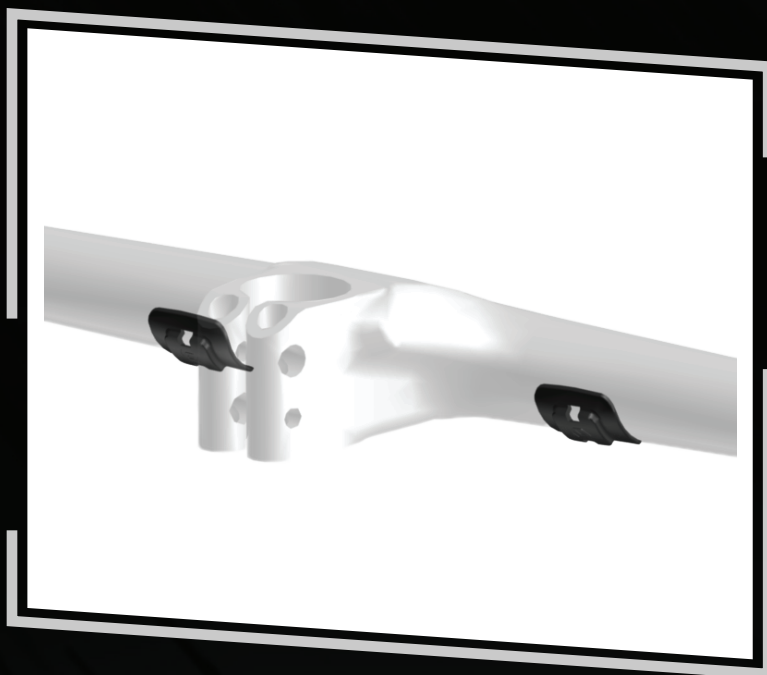
Rear Brake



CABLE GUIDES:

The Linkin has internal cable routing, so just one small kit for the front of the swingarm is needed.

**291222 - BLD CABLEGUIDE
LINKIN 22**



The handlebar cable guide.

**290054 - SCO HANDLEBAR
CABLEGUIDE KIT MTB IC 22**

There will be a larger cover for the base of the downtube, this will cover the access to the shock and cable routing.

**291223 BLD - CABLE/SHOCK
DT COVER LINKIN 22**



BOTTLE MOUNTING:



The Linkin will only accommodate one bottle on the downtube.

STORAGE:

The Linkin will have a storage box in the downtube. This will include a tube, pump and a multi tool (complete bike only)

291216 - BLD DT STORAGE BOX INTERNAL LINKIN 22

(This is the tube between the downtube and the tool wallet, box only).

291217 - BLD DT TOOL WALLET STORAGE LINKIN 22

(just the tool wallet, no tools)

Multi tool:

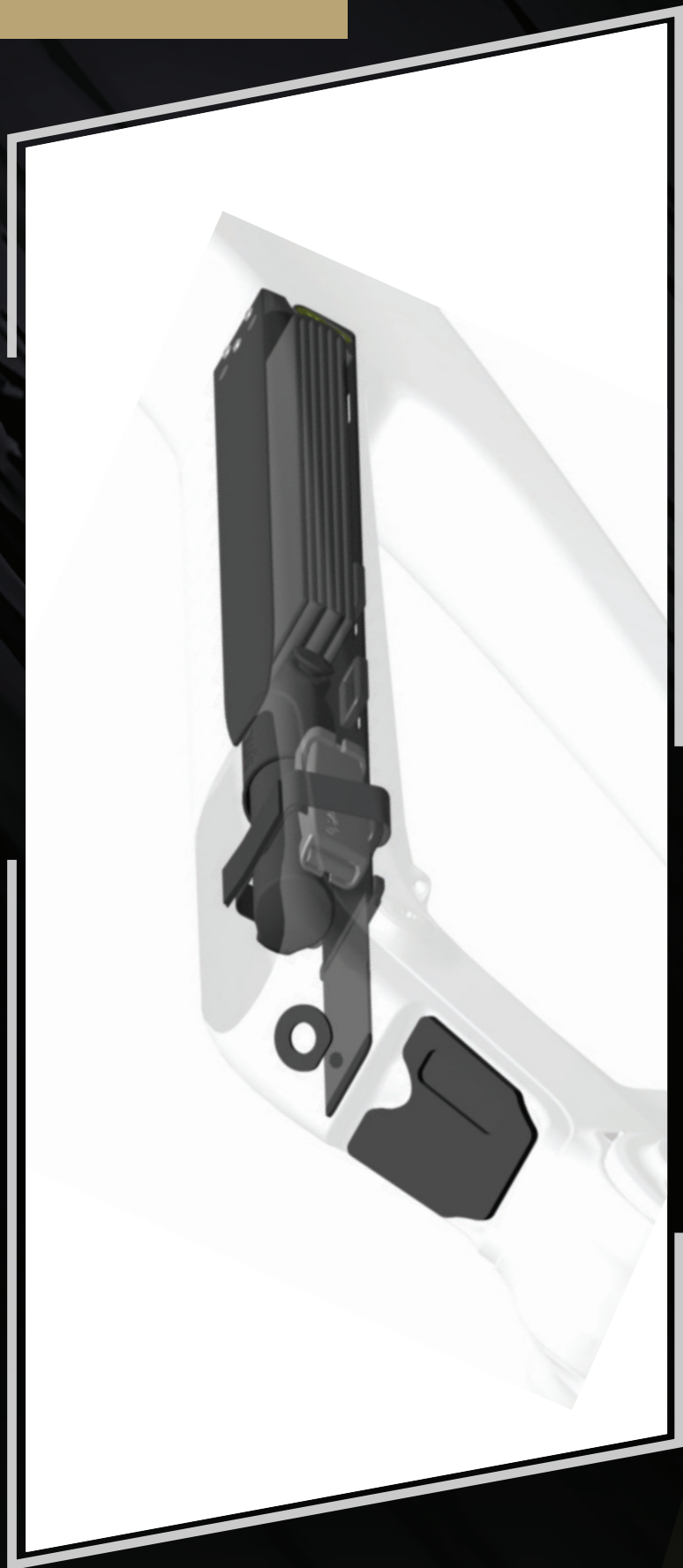
294420 - BLD Multi tool Linkin 22

Pump:

270234 - SYN MINI- PUMP BOUNDARY 1.5HV

Tyre levers:

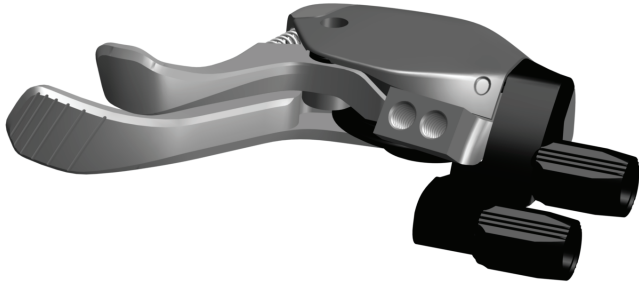
228355 - SYN TIRE LEVER SET



SHOCK / SUSPENSION / PIVOTS / LINKAGES:

The rear shock has a tracloc system, this will incorporate the dropper seatpost as well.

**291219 - BLD TRACLOC
LINKIN 22**



The rear shock is a Standard Fox part with a medium tune.

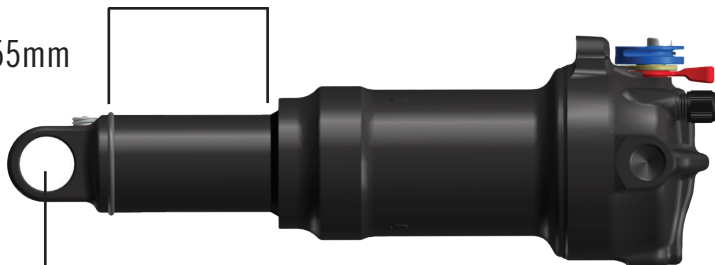
The lower shock bush is unique to the Linkin , 17 X 8MM

**292666 - BLD REAR SHOCK LINKIN FOX KSH 22
294418 - BLD SHOCK BUSH SET FOX LINKIN 22**

REMOVE THE SAG RUBBER, NOT TO BE USED



STROKE 55mm

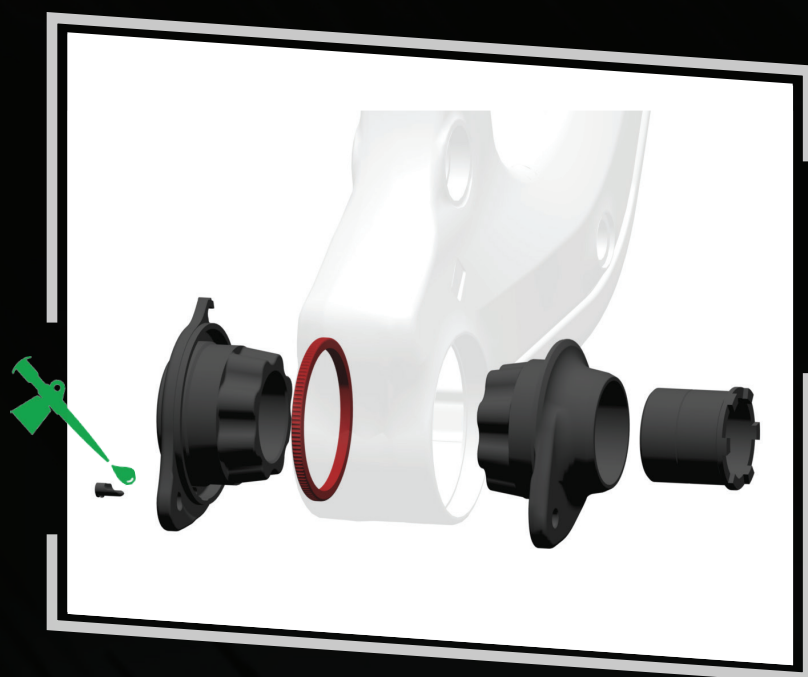


EYE 2 EYE 185m

There are three linkage sets for the Linkin.

The upper linkage set.

**291213 - BLD LINKAGE
UPPER LINKIN 22**



The lower link set (outer).
Each outer link comes with a pre-load ring, ensure that the thread on the pre-load ring is greased.

**291286 - BLD LINKAGE
LOWER OUTER LINKIN 22**

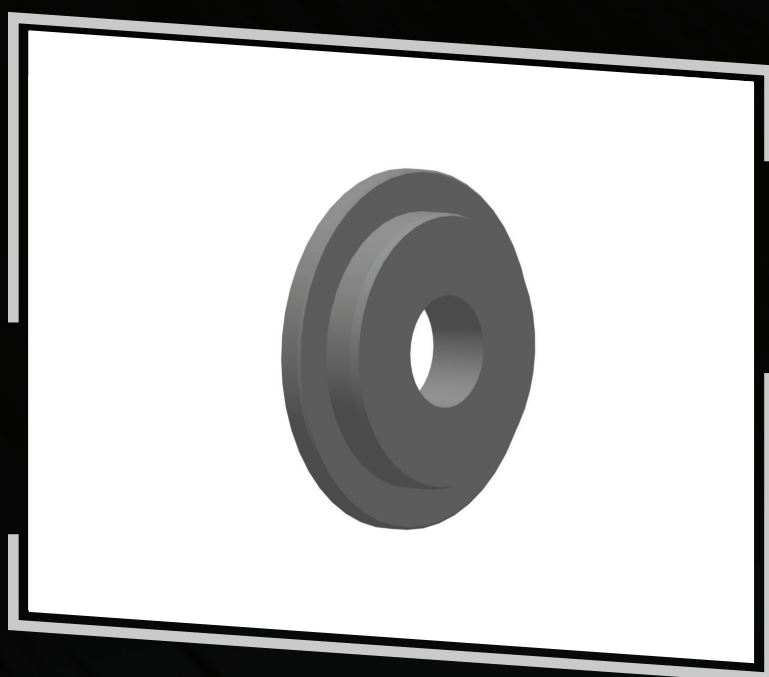
The inner lower linkage, can be changed to alter the travel, between 135mm and 150mm.

291287 - BLD LINKAGE INNER TRAVEL ADJ LINKIN 22



The bearings will be three different types.

SEATSTAY/ UPPER LINKAGE X2- 22X10X6MM (9600)
CHAINSTAY / LOWER LINK - X2- 19X10X8MM (3800)
BB MAIN LINK X2 – 72X55X9MM (6811)



To help the fitting of the main lower bearing 72x55x9mm (6811) there is a press available that is compatible with the Park HHP-2 headset press.

292672 - BLD TOOL MAIN PIVOT PRESS LINKIN

291288 - BLD SWINGARM REP KIT LINKIN 22

291285 - BLD SHOCK MOUNT BOLT KIT LINKIN 22

SAG:

Please ensure standard SAG setting protocol is used when setting the SAG, the below only covers the unique setup of the Linkin.

For setting the SAG on the Linkin without assistance you will need the magnet that is supplied with the bike.

If this needs to be replaced it can be found with the following..

**291218 BLD MAGNET SAG
KIT LINKIN 22.**

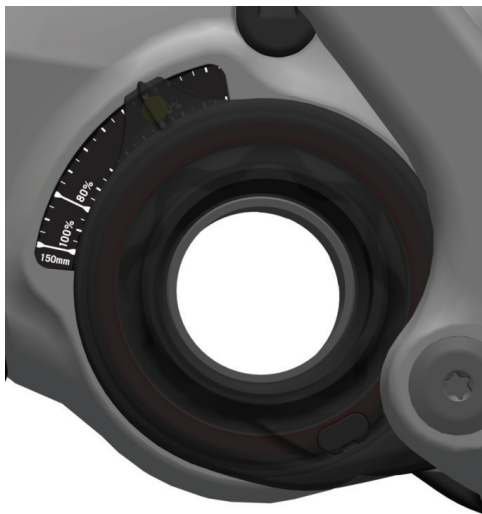
This kit also includes new SAG guides if the travel is to be adjusted.

1



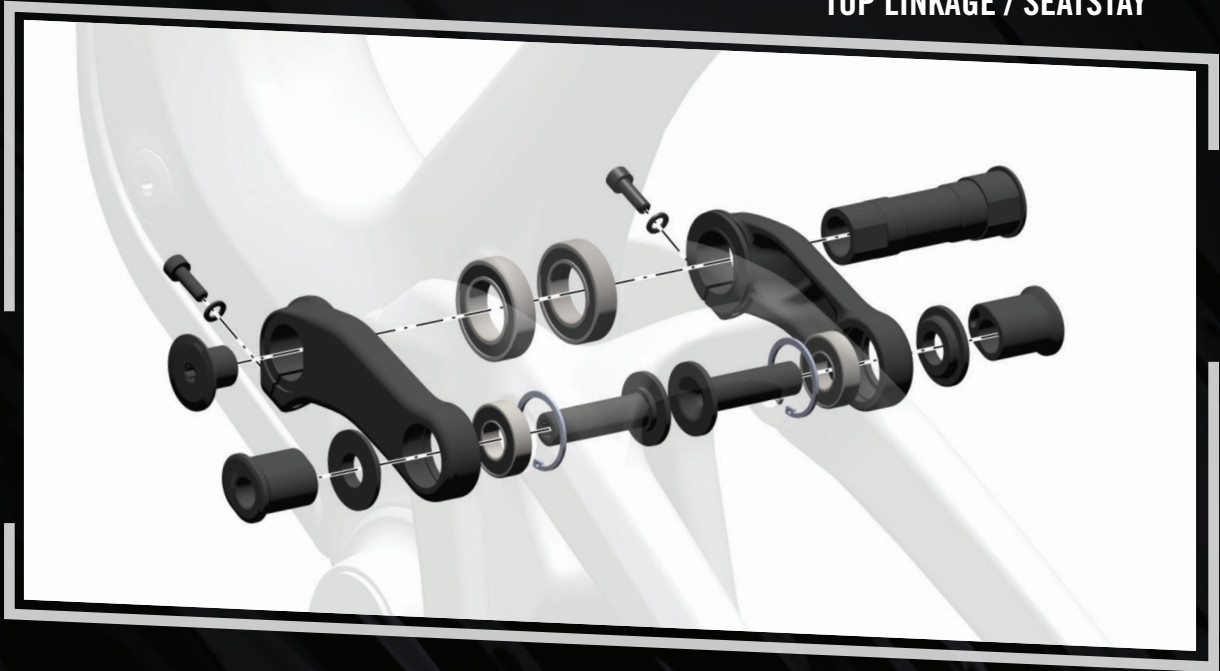
With the bike unloaded slide the magnet under the linkage plate on the left-hand side.

2

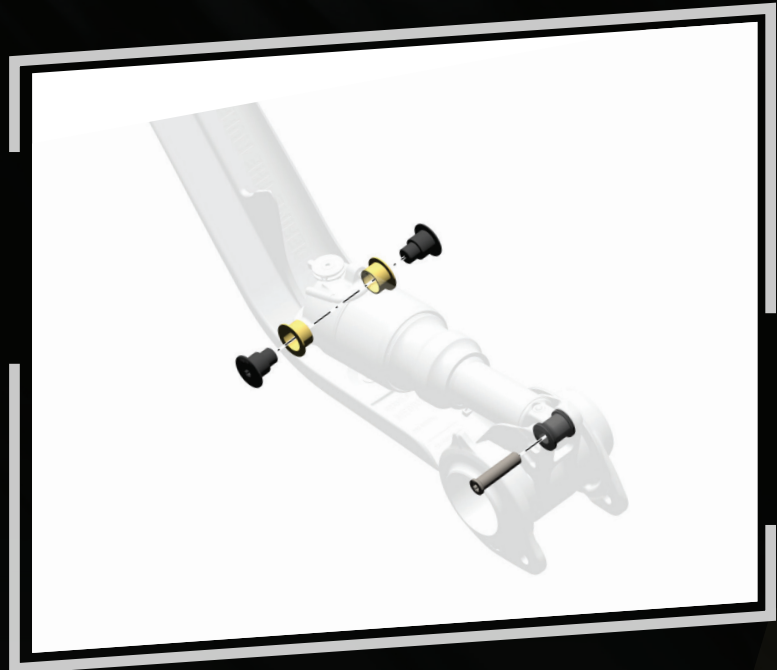


Then sit on the bike, this will allow the linkage to push the magnet into place.

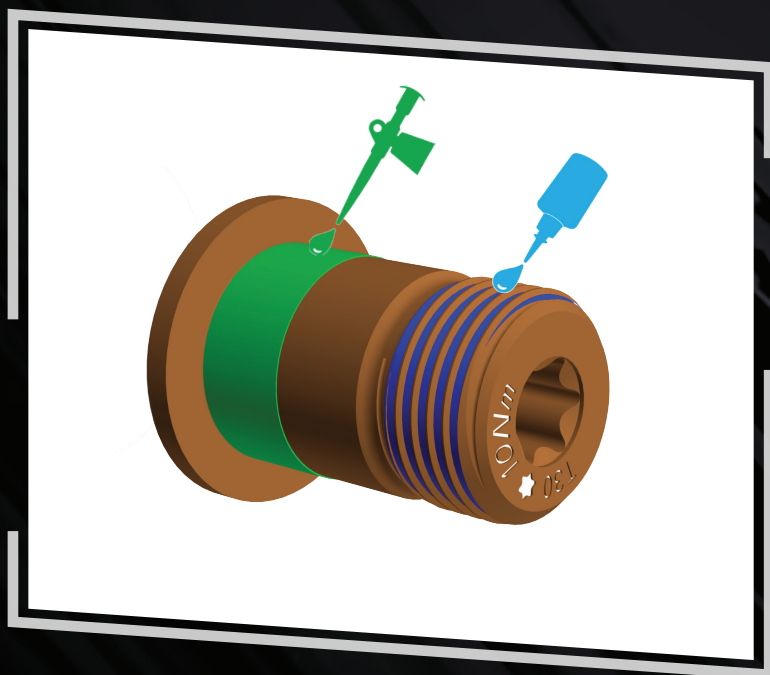
TOP LINKAGE / SEATSTAY



SHOCK MOUNTING



BOLT ASSEMBLY:



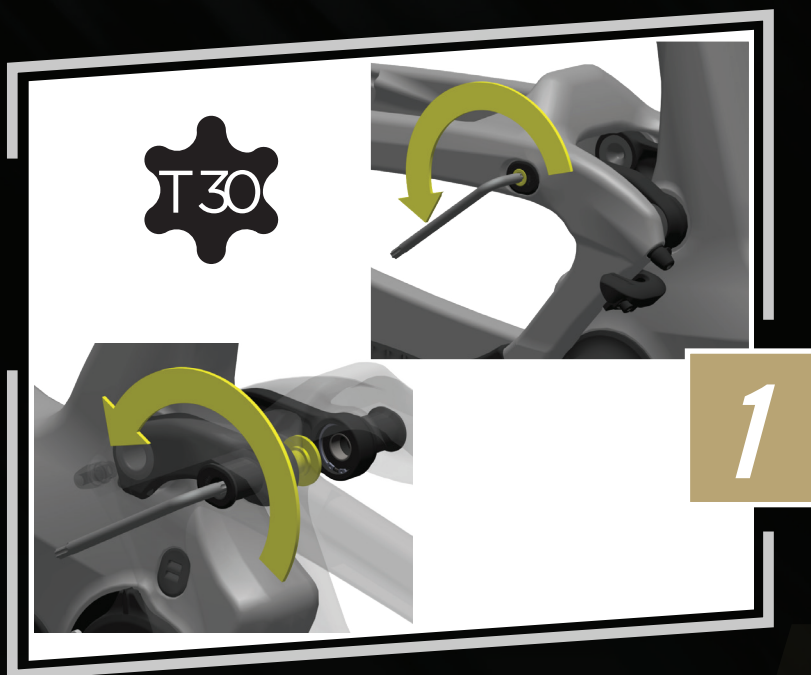
For the following instructions please follow the torque settings indicated on the bolts, use threadloc 242 & grease on the indicated areas unless mentioned in the assembly guide.

GEO CHIP



The geometry on the Linkin can be adjusted by altering the length of the seatstay via the geo chip, this is located at the top of the seatstays.

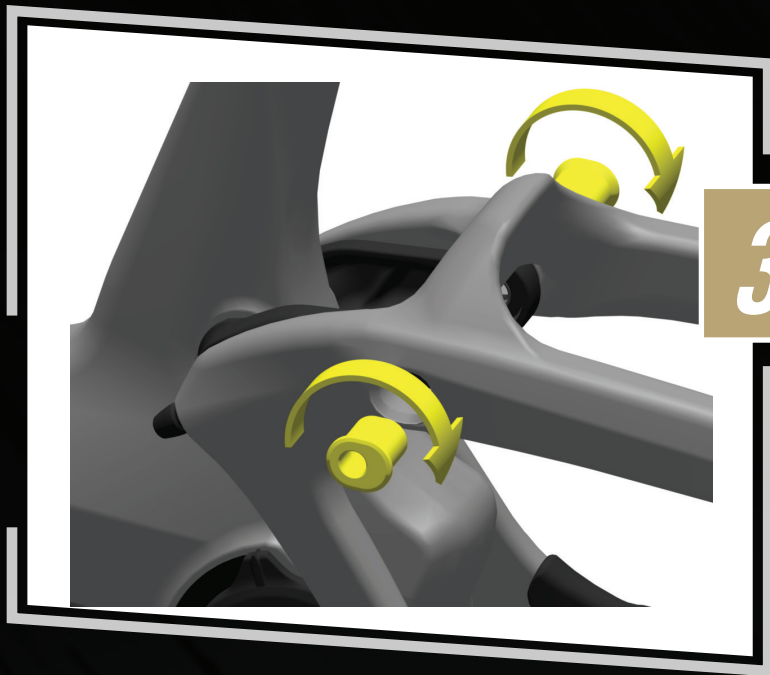
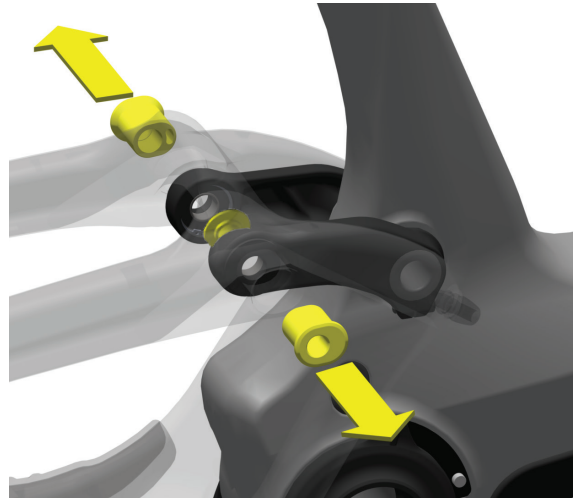
By flipping the chip the BB height can be altered by 6.3mm and the seat and head tube angle by 0.52°



Loosen and remove left and right geometry chips on the upper pivot of the seatstays.

Once the bolts are loose remove the Geo Chips, (leave the inner bolts in the frame).

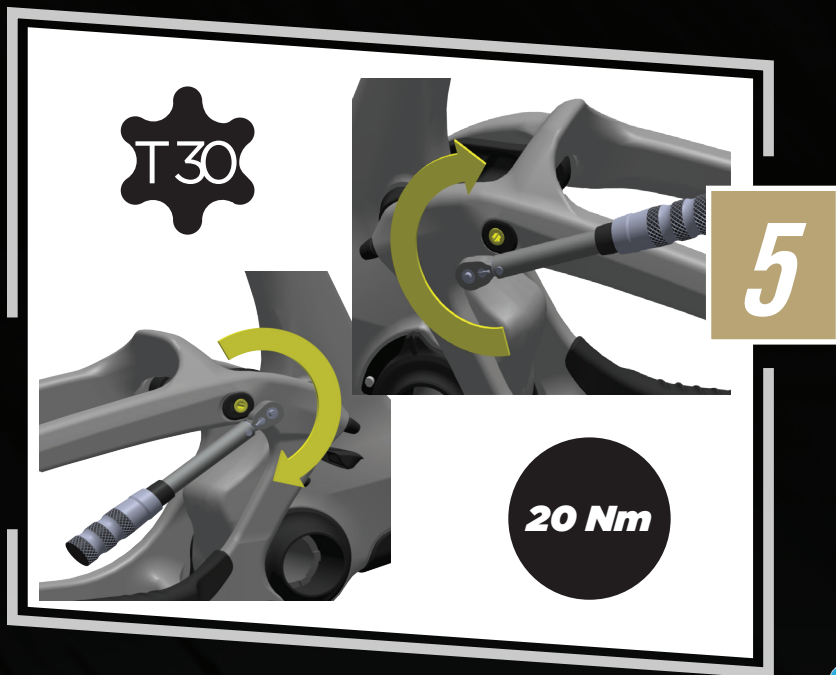
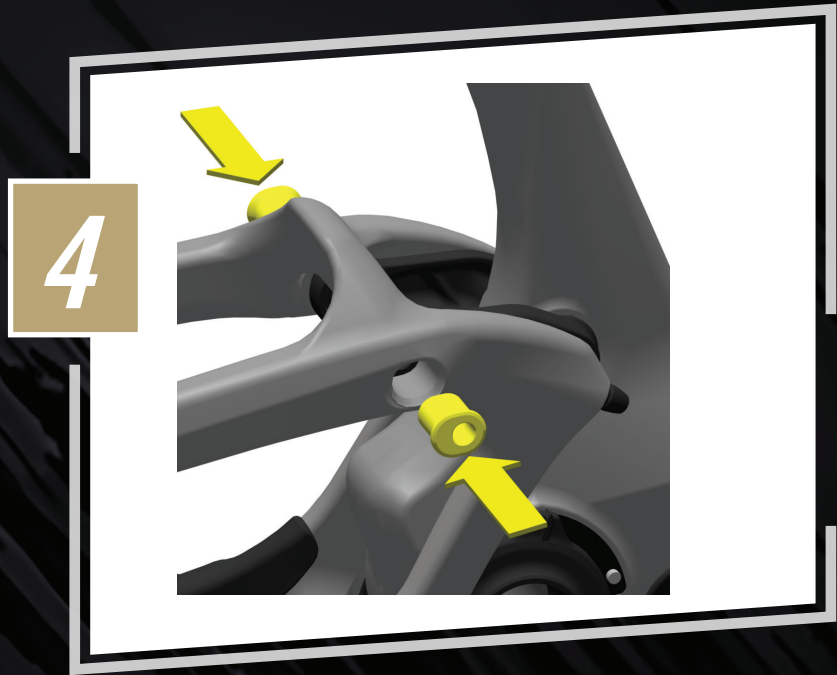
2



3

Flip both inserts 180°

Refit both inserts.



Tighten left & right bolts to 20Nm.



WARRANTY ON BOLD BIKES

What is covered?

This warranty covers defects in materials and workmanship at the time of transfer of risks in frames, swingarms and forks (provided it is a fork of BOLD) on BOLD branded bikes sold completely assembled by BOLD or an authorized BOLD dealer ("Product").

How long does coverage last?

This voluntary manufacturer's warranty is limited to five years for frames and swingarms, respectively two years for forks, from the date of purchase of the Product and is limited to the first purchaser of the Product and subject to the prior registration of your BOLD-bike on www.scott-sports.com within 10 days as of the date of purchase. Transfer of the Product from the first purchaser to another person terminates this limited warranty.

A claim that has been accepted under the Voluntary Manufacturer's Warranty does not then prolong the Voluntary Manufacturer's Warranty.

The limited warranty of five years for the frames and swingarms shall only be granted in case once a year a maintenance service has been effected according to maintenance requirements as set forth in the manual. The effected annual maintenance service shall be confirmed by stamp and signature. In case such an annual maintenance service has not been effected the warranty of five years for the frame shall be reduced to three years. Costs for maintenance and service have to be borne by the owner of the Product.

Repaired or replaced Products are covered for the remainder of the original warranty period and subject to the conditions outlined in the original warranty, to the extent permitted by law.

Hereby BOLD grants a worldwide voluntarily manufacturer's warranty. To the extent permitted by law and unless a shorter duration is stipulated by law, any warranties implied by law are limited in duration to maximum five, respectively two years, from the date of purchase of the Product and are limited to the first purchaser of the Product.

What will BOLD do in the event of a guarantee case?

BOLD will replace the defective product with a product of a quality or nature and similar level, will repair or refund the purchase price (after presentation of the proof of purchase of the product), in its sole discretion. Non-defective components are replaced at your expense. In such a case, we will contact you before replacing the non-defective part for your agreement.

What does this limited warranty not cover?

This limited warranty does not cover defects which did not exist before the transfer of risks. This limited warranty does not cover Products used in rental operations. This limited warranty does not cover purchases of not completely assembled bikes. This limited warranty does not cover any defect caused by "wear and tear" (a complete list of all parts of "wear and tear" can be found in the manual), accident, neglect, improper handling, colour fade due to exposure to sunlight, abuse, misuse, an act of God, improper assembly, non-compliance with recommended maintenance and care procedures, improper or incorrectly performed maintenance or repairs performed by someone other than an authorized BOLD dealer, use of parts or devices not consistent with the Product, and alteration of the Product. All Products come with a manual; please carefully follow the instructions located there or affixed elsewhere to the Product. To the extent permitted by law, consequential and incidental damages are not recoverable under this limited warranty.

How do you make a claim under this limited warranty?

To make a claim under this limited warranty, you must notify BOLD of the claimed defect within the warranty period and timely return the Product to BOLD at your expense for inspection. Please contact your authorized BOLD dealer, call BOLD's customer service or the national BOLD distributor (dealer locator: www.boldcycles.com). All returned Products must be accompanied by proof of purchase (receipt) from an authorized BOLD dealer or this limited warranty will not apply. In case of replacement or refund, returned Product becomes the property of BOLD.

A protocol for the handing over of the Product (which you will find at the end of the manual) will remain in copy at the BOLD dealer after acceptance and signature of the consumer. It is obligatory to show this protocol of handing over together with the defective part in case of a warranty claim given that it provides evidence of purchase or this limited warranty will not apply.

How do state laws affect your rights under this limited warranty?

This limited warranty gives you specific legal rights, and you may also have other rights, which vary from state to state.

Recommendation

We strongly recommend that you use only authorized BOLD dealers for yearly maintenance services and for repairs, as improper or incorrectly performed maintenance or repairs voids this limited warranty. Costs for maintenance service have to be borne by the consumer.

bold

C Y C L E S

All rights reserved ©2021 SCOTT Sports SA

ILLUSTRATIONS

Background: Designed by starline / Freepik

The information contained in this techbook is in various languages but only the English version will be relevant in case of conflict.

Although SCOTT Sports SA has published all information contained in this techbook after careful examination, SCOTT Sports SA assumes no liability for being up-to-date, correct, reliable or complete. SCOTT Sports SA reserves the right to change the content of this techbook, particularly colors, materials and specifications, at any time without prior notice. Any liability shall be exempted.

Products shown may not be available in all regions, please check with your local SCOTT retailer for availability.

BOLD CYCLES
SCOTT SPORTS SA
Route du Crochet 11
1762 Givisiez
Switzerland
www.scott-sports.com

Authorized Representative: Beat Zaugg, Pascal Ducrot